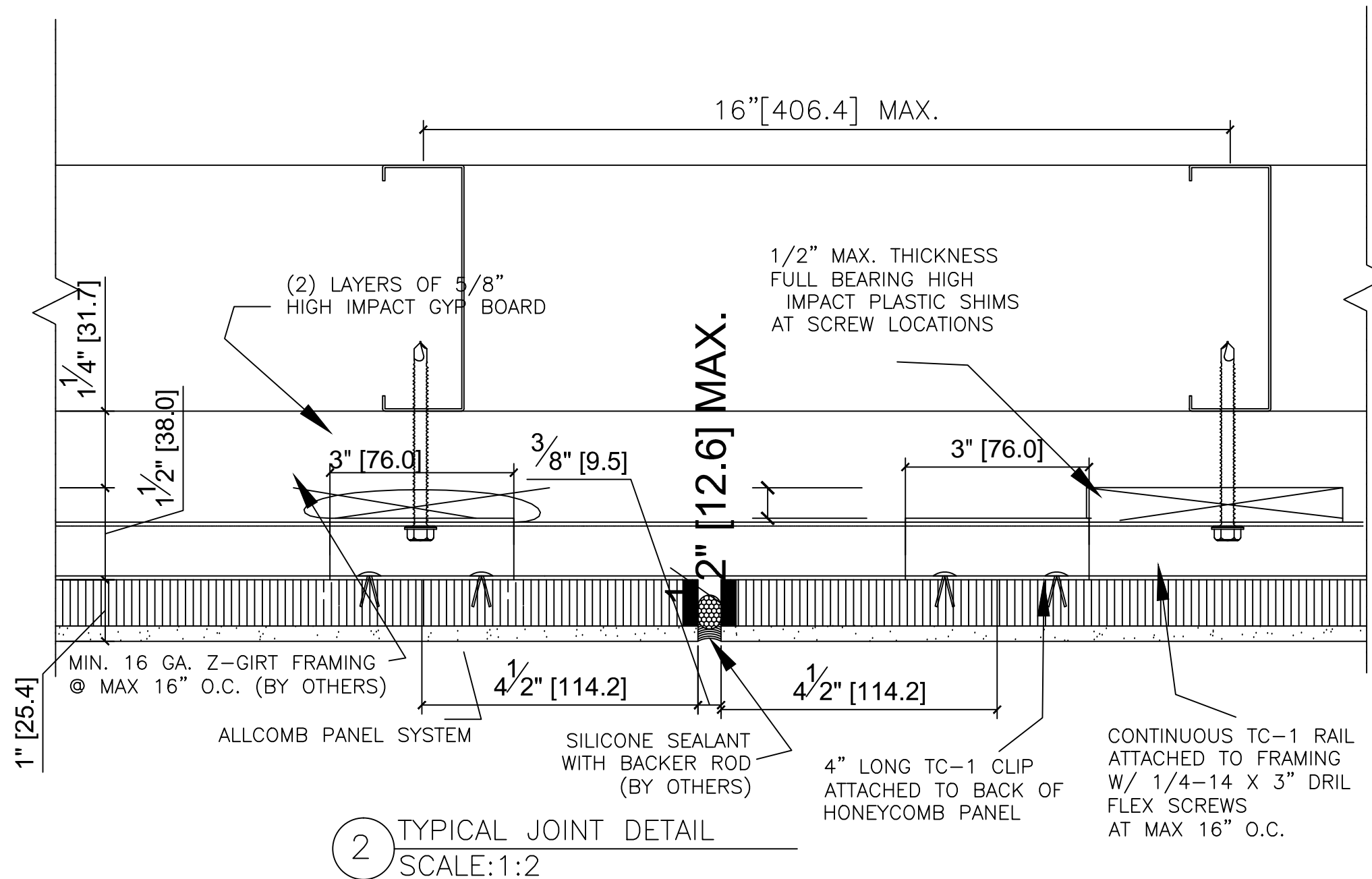
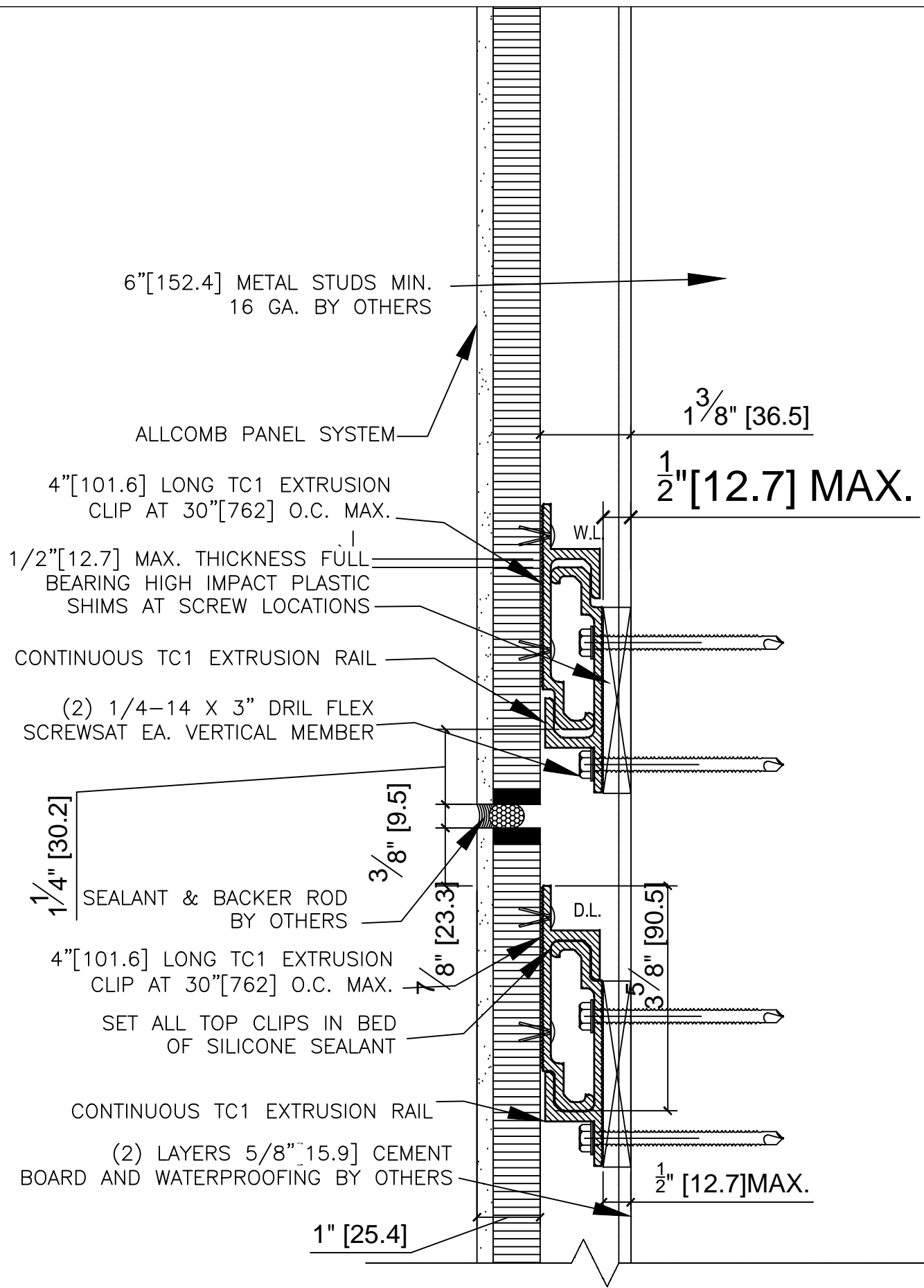


1 TYPICAL SECTION AT JOINT  
SCALE:1:2

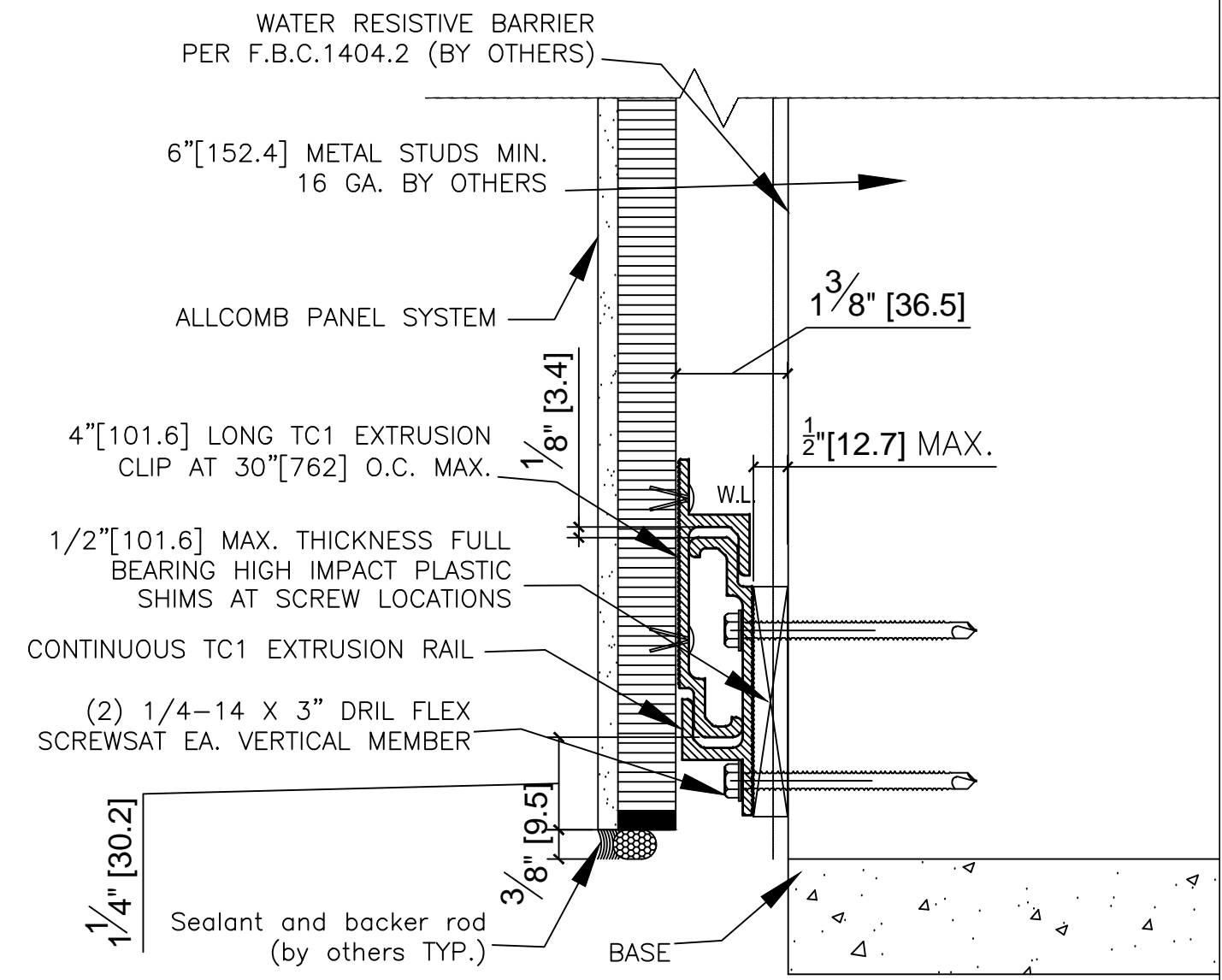


Title	NO.	Date	Page	Material	UNIT	Drawing	Approve
FIXING SYSTEM with TC1 CLIP & RAIL	1	2016-3-31	P1	STONE/PORCELAIN/ BRICK Honeycomb panel	MM	CAN	RON





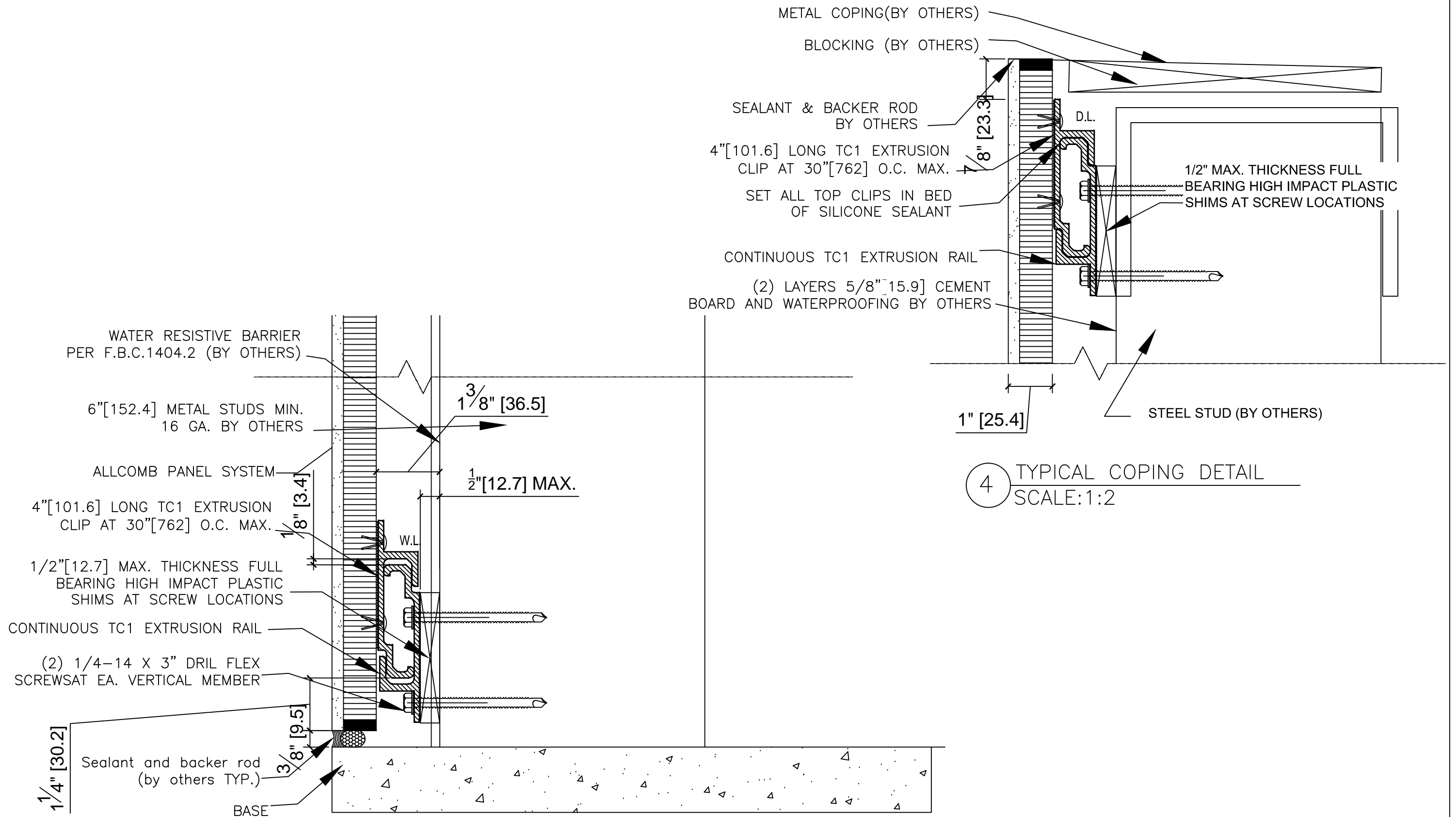
1 TYPICAL SECTION AT JOINT  
SCALE:1:2



2 TYPICAL BOTTOM OF WALL DETAILS  
SCALE:1:2



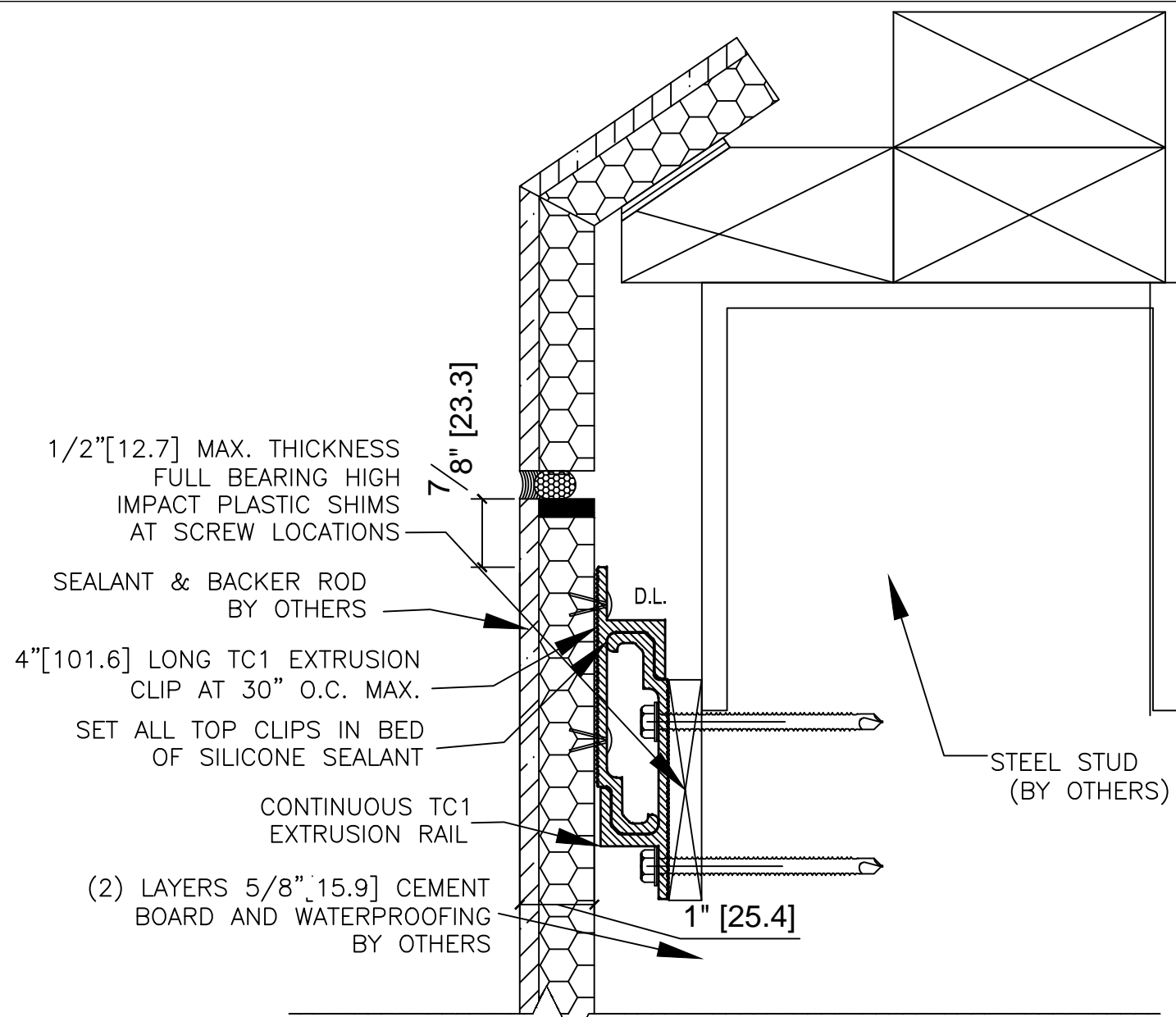
Title	NO.	Date	Page	Material	UNIT	Drawing	Approve
FIXING SYSTEM with TC1 CLIP & RAIL	2	2016-3-31	P3	STONE/PORCELAIN/ BRICK Honeycomb panel	MM	CAN	RON



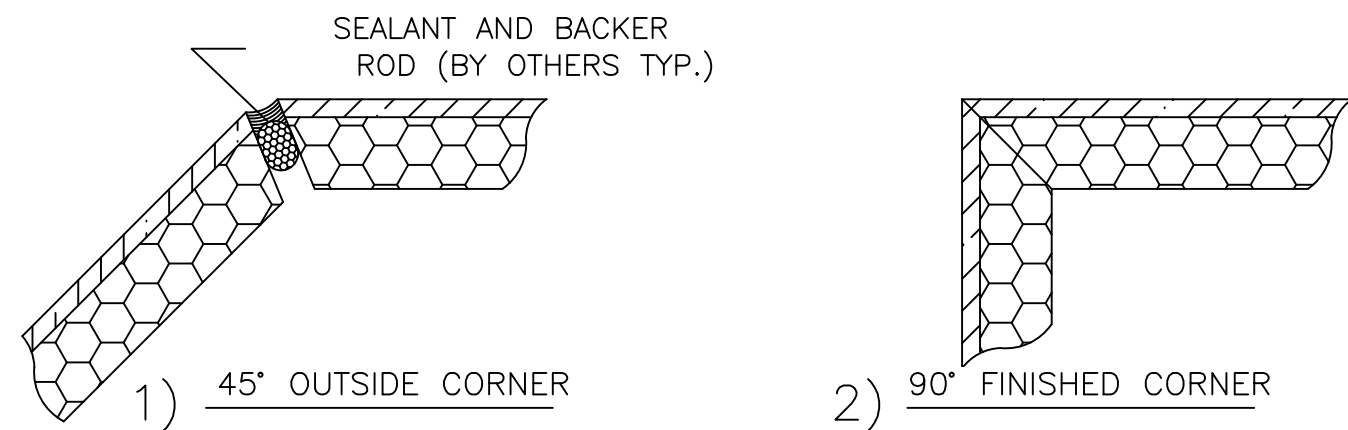
3 TYPICAL BOTTOM OF WALL DETAILS  
SCALE: 1:2



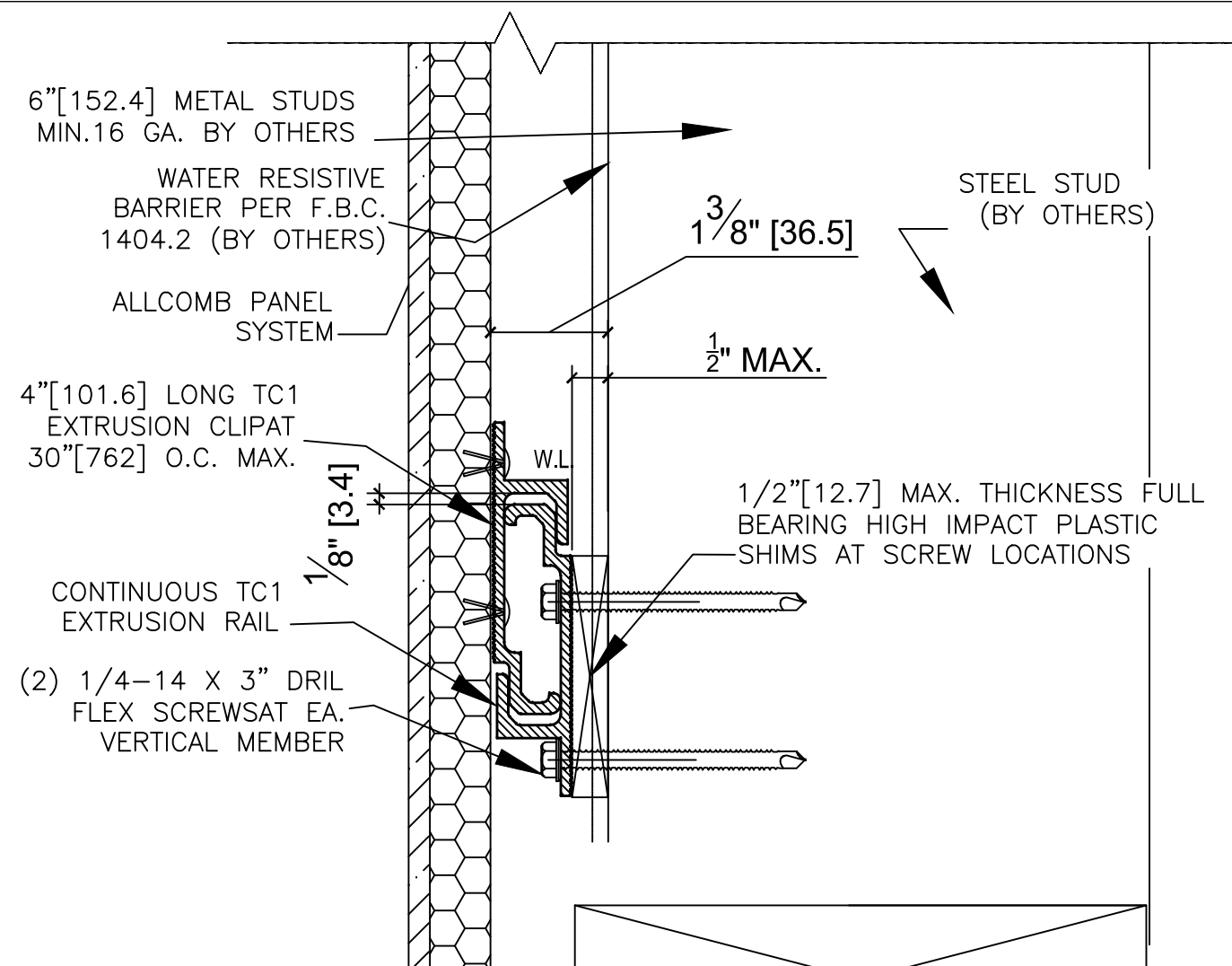
Title	NO.	Date	Page	Material	UNIT	Drawing	Approve
FIXING SYSTEM with TC1 CLIP & RAIL	2A	2016-3-31	P4	STONE/PORCELAIN/ BRICK Honeycomb panel	MM	CAN	RON



4 TYPICAL WINDOW SILL DETAIL  
SCALE:1:2



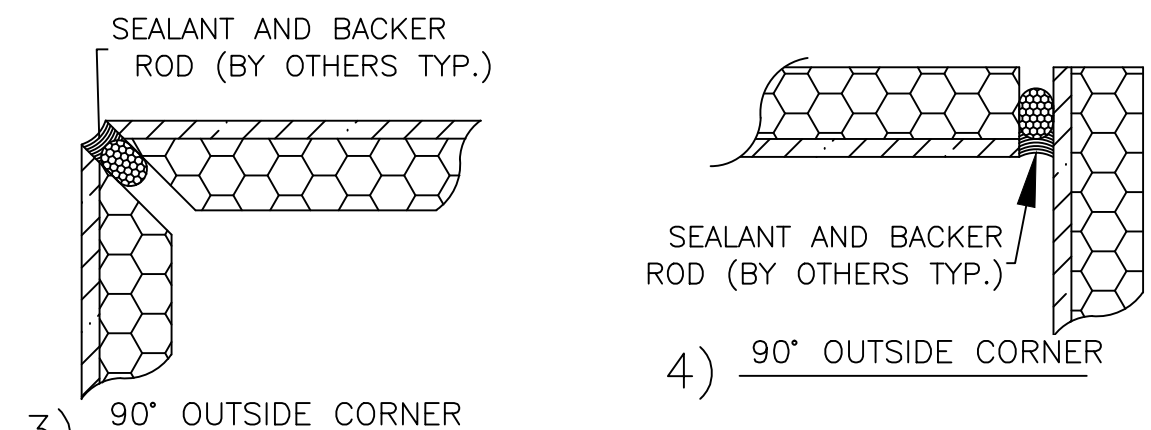
1 TYPICAL CORNER DETAILS  
SCALE:1:2



5 TYPICAL WINDOW HEADER DETAIL  
SCALE:1:2

EXTERIOR

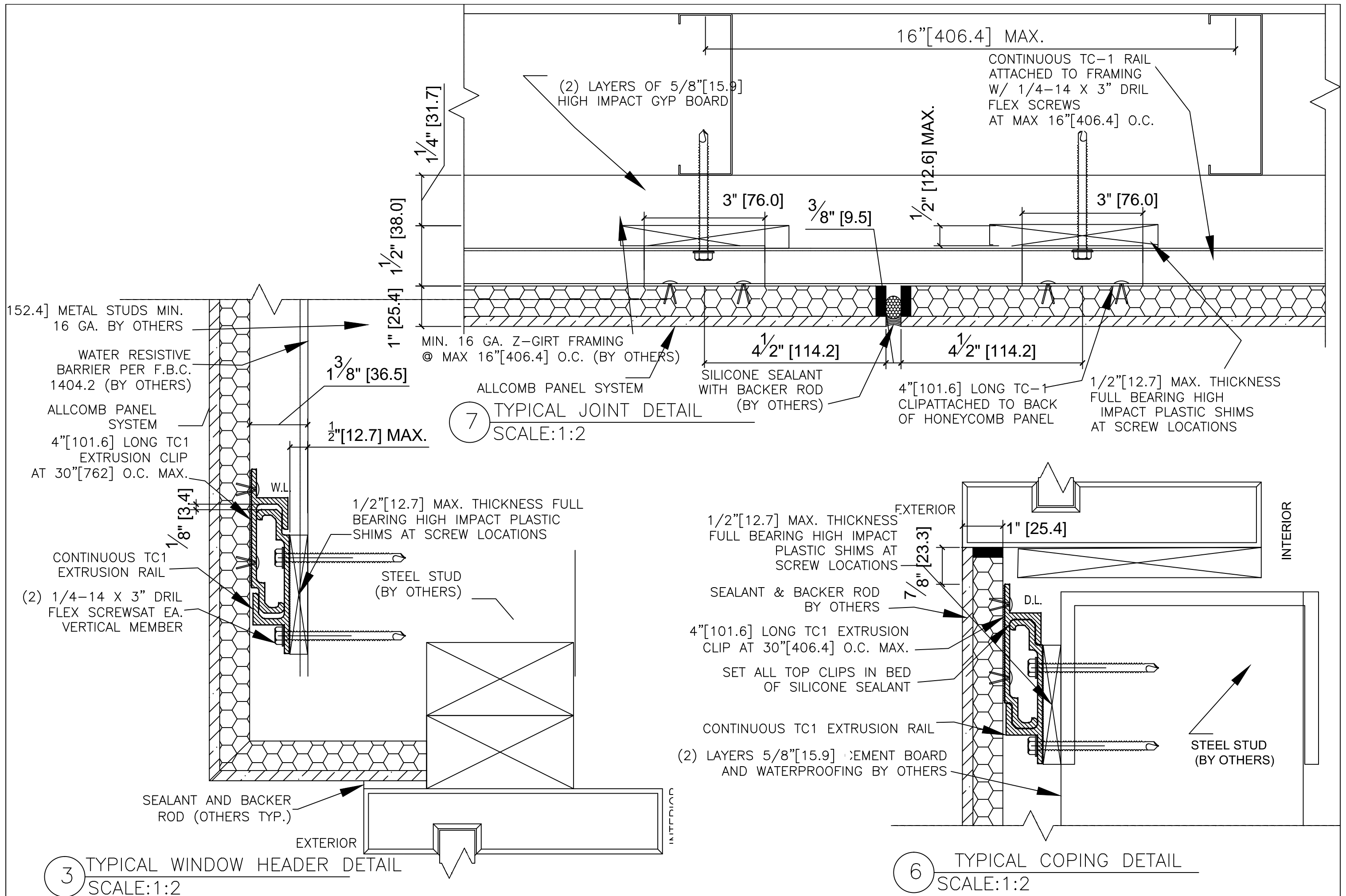
INTERIOR



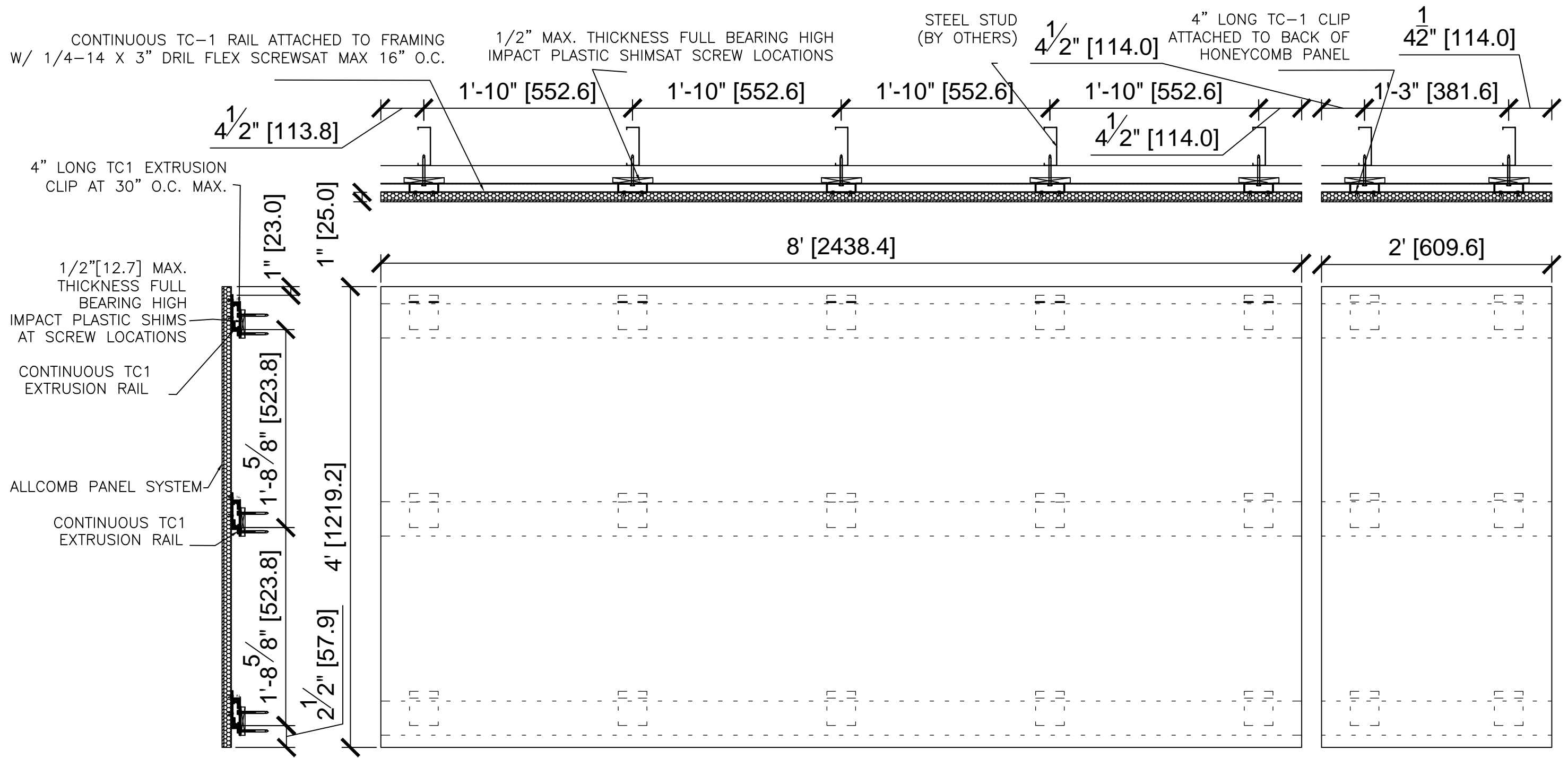
2 TYPICAL CORNER DETAILS  
SCALE:1:2



Title	NO.	Date	Page	Material	UNIT	Drawing	Approve
FIXING SYSTEM with TC1 CLIP & RAIL	3	2016-3-31	P5	STONE/PORCELAIN/ BRICK Honeycomb panel	MM	CAN	RON



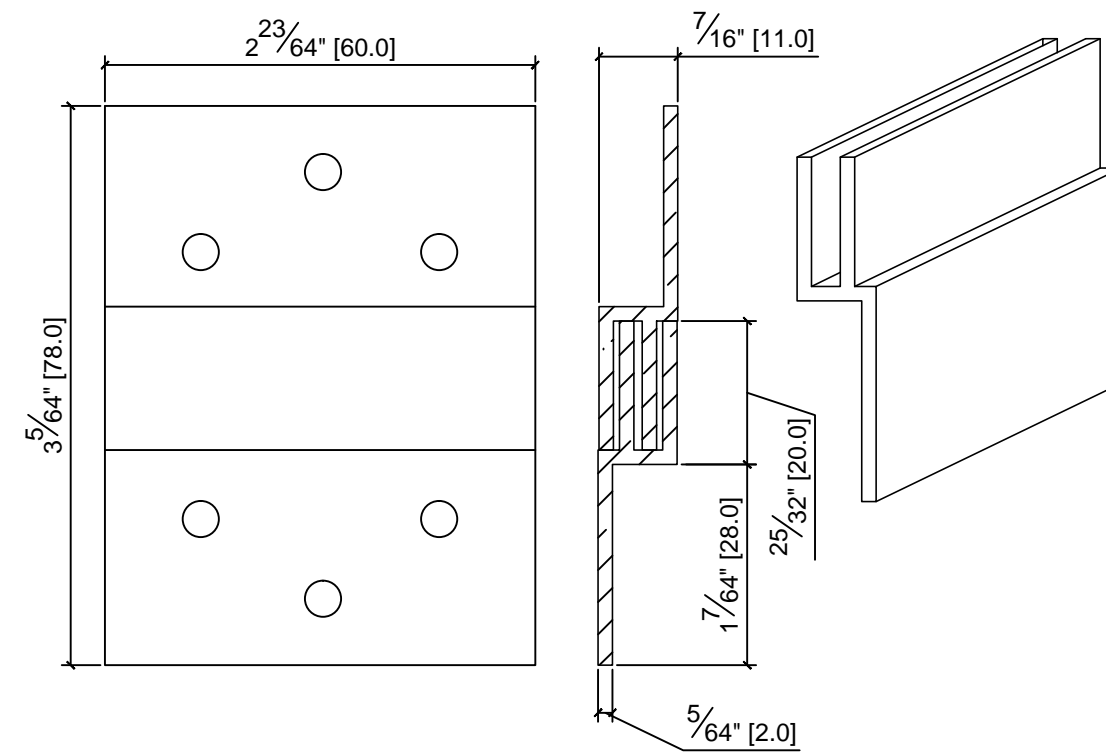
Title	NO.	Date	Page	Material	UNIT	Drawing	Approve
FIXING SYSTEM with TC1 CLIP & RAIL	3A	2016-3-31	P6	STONE/PORCELAIN/ BRICK Honeycomb panel	MM	CAN	RON



1 FRONT VIEW  
SCALE: 1:10



Title	NO.	Date	Page	Material	UNIT	Drawing	Approve
FIXING SYSTEM with TC1 CLIP & RAIL	4	2016-3-31	P7	STONE/PORCELAIN/ BRICK Honeycomb panel	MM	CAN	RON



SCALE:1:1

Title	NO.	Date	Page	Material	UNIT	Drawing	Approve
Z Clip	-	2016-3-31	P1	AL panel	MM	CAN	RON